



New Website Location

We have found a new website for the MAS. The change was prompted by performance and accessibility issues of the old site. We have also changed the redirect link at our namespace, www.milwaukeeastro.org, to point to the new site. (Work is in progress to set our namespace to the site without the intervening redirect.) For those who wish to access the new site directly, the URL is <http://milwaukeeas.web129.discountasp.net>.

Calendar for May/June

May 12 - Public Night : Jupiter, 7:30. *Note: Public nights start up again in August.*

May 19 - Monthly meeting. : 7pm Board, 7:30pm New Member Orientation, 8pm Membership, at the Observatory. ELECTIONS. Afterwards Gerry Samolyk will present "Totality 2006", a personal view of his trip to Turkey for the March total eclipse.

June 12 - Board meeting, 7:00pm at the Observatory. New Member Orientation, 7:30 in the Z-dome.

(future events)

July 29 - Summer Picnic *Mark your calendar!*

Check the website for up-to-date information on these meetings.

Annual Election of Board and Officers

Each May the Milwaukee Astronomical Society elects its officers and part of the board of directors. The positions open every year are for president, vice president, secretary, and treasurer.

There are also four seats on the board of directors up for election this year. Any regular member can run for any of these positions. This is an opportunity for you as a member to become more involved in the society.

From the society by-laws the following description of responsibilities may be of help in making your decision on whether or not to run:

SECTION 2: PRESIDENT - The duties of the President shall be to preside at all meetings of the Board of Directors and of the members and to have a general supervision of the affairs of the Society.

SECTION 3: VICE-PRESIDENT - The principal duties of the Vice-President shall be to discharge the duties of the President in the event of absence or disability, for any cause whatever, or the latter.

SECTION 4: SECRETARY - The principal duties of the Secretary shall be to countersign all deeds, leases, and conveyances executed by the Corporation, affix the seal of the corporation thereto, and to such other papers as shall be required or directed to be sealed, and to keep a record of the proceedings of the Board of Directors, and the monthly meetings of the members, and to safely and systematically keep all books, papers, records, and documents belonging to the Society, or in any wise pertaining to the business thereof.

SECTION 5: TREASURER - The principal duties of the Treasurer shall be to keep and account for all moneys, credits, and property, of any and every nature, of the Society, which shall come into his hands, and keep an accurate of all moneys received and disbursed, and

(Continued on page 2)

(Continued from page 1)

of money and property on hand, and generally of all matters pertaining to this office, as shall be required by the Board of Directors.

President Steve Diesso has appointed Gerry Samolyk to head the nominating committee this year, and he will take nominations for the officers and the three board positions are up for re-elections this year. We also take nominations from the floor during the election meeting.

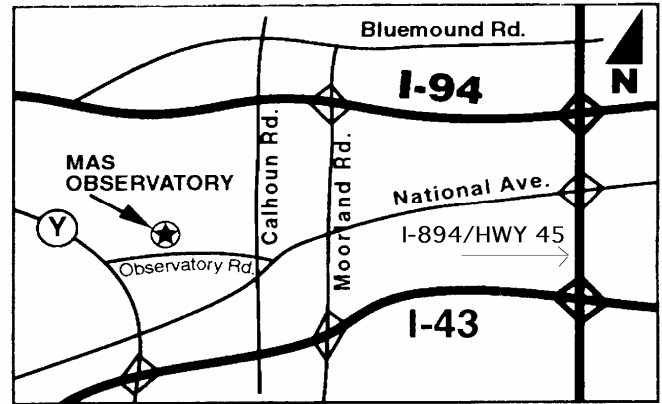


Google Email Group for the MAS

A email group has been created by new member Ray Albarelli at <http://groups.google.com/group/milwaukeeastro>! To post messages you will need to create a Google account (it's no hassle), but reading is open to all. Email groups are an efficient way to share experiences. Send one email and everybody in the group gets it. Experienced and new members are encouraged to participate.

A Successful Asteroid Occultation!

In the early morning of Feb 24, the asteroid 530 Turandot occulted an 8th magnitude star. The path of the occultation passed thru central Indiana, north-eastern Illinois, and southwestern Wisconsin. Steve Deisso and I traveled to northern Illinois to observe



the event. Our location was northwest of Rockford. Scott Jamieson also observed this event from his home in Eagle WI.

The target star was particularly easy to locate since it was a degree or so west of Saturn and was easily seen in a small scope. The 15th magnitude asteroid was too faint to see in our 6" scopes, so there was no way to anticipate the time of the event. Steve and I watched the star while listening to WWV time signals. Tape recorders were used to record the event. Suddenly, the star vanished from view, reappearing about seven seconds latter. From Scott's location, the star remained visible thru the entire event. Since Scott was less than 20km north of the northernmost hit, his observation set a limit for the northern edge of the path. In this business, a negative observation can be very valuable.

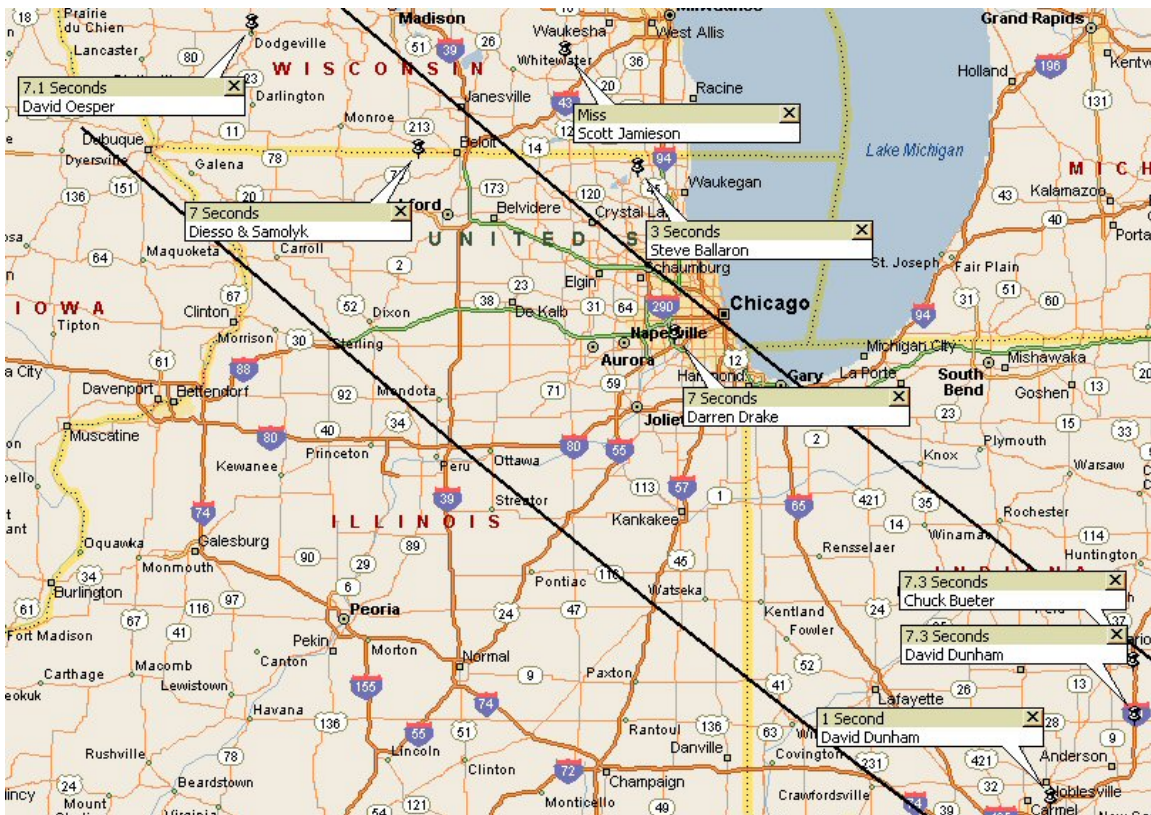
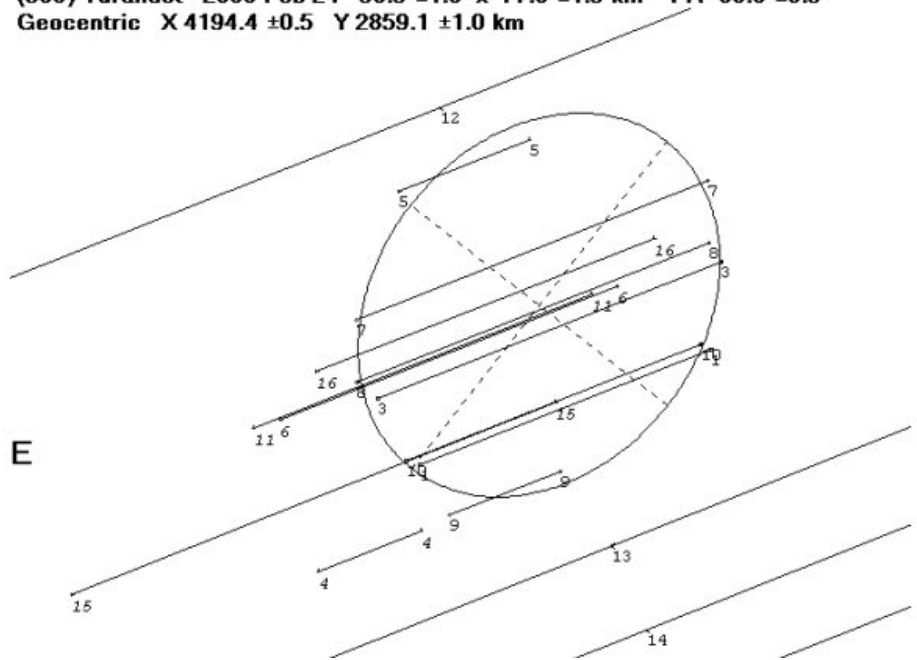
It turns out that a number of additional observers from Ohio to Wisconsin observed the occultation also. The map **on the next page** shows the location of these observers and the duration of the occultation observed. Jarret Dixon of IOTA, did an analysis of the preliminary data. The resulting plot below shows the shape and orientation of the asteroid.

This is the most successful occultation by an asteroid that the MAS has participated in to date. If you would like to participate in future events of this type, keep an eye on the MAS website. Upcoming occultations are listed on the special events page, or just click on "occultation alerts" when found on the MAS home page. The predictions for these paths is still not an exact science so anyone close to a predicted path is encouraged to make the observation. Since a number of asteroids have been found to have companions, it is possible that an occultation may be seen, even if you are outside of the primary path.

- Gerry Samolyk

(530) Turandot 2006 Feb 24 $98.9 \pm 1.8 \times 77.8 \pm 1.9$ km PA -38.0 ± 3.9
 Geocentric X 4194.4 ± 0.5 Y 2859.1 ± 1.0 km

Preliminary results from the 530 Turandot occultation. The shape and orientation were determined. The objective of this type of event is to record as many different chords across the asteroid as possible.



The dark black lines show the predicted limits of the occultation. The actual path was about $\frac{1}{4}$ path width north of that track. The location and occultation duration of each observer is shown. Additional observers were located farther south-east, in Ohio.

Focal Point Publishing Guidelines

The "Focal Point" is published bi-monthly (Jan, March, May, July, Sept, Nov).

Articles, Announcements, Graphics, Photos, Swap/Sale Ads etc. should be **submitted 10 days prior to the first of the month** of the pending issue.

Article inputs are strongly recommended via email in a Text or Word compatible format.

Star Parties

The Milwaukee Astronomical Society provides tours and viewing for groups of people interested in astronomy. Contact Paul Borchardt at (262) 781-0169 for more information about scheduling and fees.

MAS Officers / Staff

President: Steve Diesso (262) 641-0331
Vice President: Dave Weier (608) 241-1444
Treasurer: Brian Ganiere (414) 961-8745
Secretary: Henry Gerner (414) 774-9194
Observatory Dir: Gerry Samolyk (414) 529-9051
Newsletter Ed: Neil Simmons (262) 889-2039
MAS Observatory: (262) 542-9071

MAS Membership is open to anyone interested in enriching their knowledge of Astronomy and related topics.

Yearly Membership Dues:

Student (under 18)	\$13		
Resident (Milwaukee and adjacent counties resident)		Non-resident	
Individual	\$31	Individual	\$19
Family	\$37	Family	\$23

Members can get subscriptions to *Sky & Telescope* (©) and *Astronomy* (©) at a club discount.

For more information contact: Bob Manske, 404 Prospect Road, Waunakee, WI 53597. Phone: (608) 849 - 5287. Email: manske@tds.net

Saturday Night Key Holder

On Saturday nights the MAS opens its New Berlin facilities to all its members. If interested in using an observatory on the following nights, the following key holders will be on hand. Please contact them in advance to ensure access.

May

6	Chris Weber	262-789-7128
13	Neil Simmons	262-889-2039
20	Dan Yanko	414-453-3382
27	Paul Borchardt	262-781-0169

June

3	Tim Burrus	262-369-1022
10	Steve Diesso	262-641-0331
17	Brian Ganiere	414-961-8745
24	Carlos Garces	262-786-2623

July

1	Henry Gerner	414-774-9194
8	Chris Hesseltine	414-482-4515

Loaner Telescopes

These telescopes are available to members for local use.

Scott Jamieson (Waukesha)	(262) 896-0119	8"
Paul Borchardt (MAS site)	(262) 781-0169	6" & 8"
Chris Weber (New Berlin)	(262) 789-7128	8"

The Milwaukee Astronomical Society
c/o Neil Simmons
8918 270th Avenue
Salem, Wisconsin 53168

ADDRESS CHANGE SERVICE REQUESTED

